

固定翼航模系列



固定翼航模电机

FIXED-WING PLANE SERIES

FIXED-WING SERIES BRUSHLESS MOTOR

X-TEAM固定翼航模系列无刷电机

XTO-11系列固定翼航模无刷电机

基本参数 Specifications

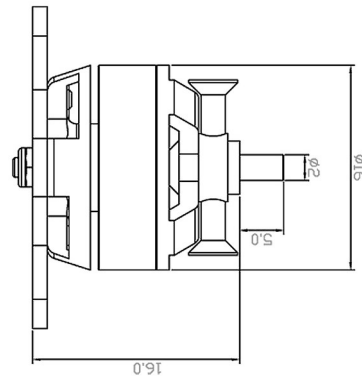
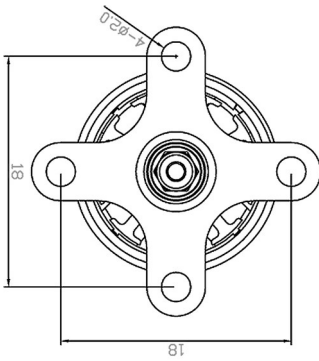
The XTO-11 motors are ideal for small electric airplanes up to 120g. Featuring a slotted 12-pole outrunner design. The curved Neodymium magnets offer a perfect gap from the inside of the rotor for optimal power and efficiency.

Features:

- Light weight
- Proven quality



型号	KV	电压	圈数	空载电流	极数	功率	外部尺寸	出轴规格	电阻	安装孔位	重量
XTO-1105	4200	2S Lipo	10T	0.6A	12	30W	Φ16*16mm	Φ2x5mm	0.32	18mm 4xΦ2	8g
	3200	2S Lipo	13T	0.4A	12	30W	Φ16*16mm	Φ2x5mm	0.412	18mm 4xΦ2	8g



FIXED-WING SERIES BRUSHLESS MOTOR

X-TEAM固定翼航模系列无刷电机

XTO-17系列固定翼航模无刷电机

基本参数 Specifications

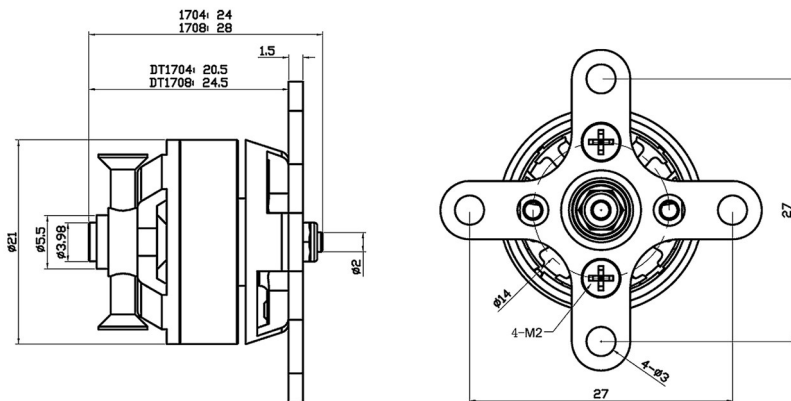
The XTO-17 motors are ideal for small electric airplanes up to 200g. Featuring a slotted 12-pole outrunner design. The curved Neodymium magnets offer a perfect gap from the inside of the rotor for optimal power and efficiency.

Features:

- Light weight
- Proven quality



型号	KV	电压	圈数	空载电流	极数	功率	外部尺寸	出轴规格	电阻	安装孔位	重量
XTO-1704	2600	2S Lipo	12T	1.2A	12	40W	Φ21*24mm	-	0.25	14mm 4xM2	15g
	2200	2S Lipo	15T	0.9A	12	45W	Φ21*24mm	-	0.314	14mm 4xM2	15g
XTO-1708	2100	2S Lipo	7T	1.3A	12	60W	Φ21*28mm	-	0.118	14mm 4xM2	22g
	1700	2S Lipo	9T	1.0A	12	70W	Φ21*28mm	-	0.178	14mm 4xM2	22g



FIXED-WING SERIES BRUSHLESS MOTOR

X-TEAM固定翼航模系列无刷电机

XTO-22系列固定翼航模无刷电机

基本参数 Specifications

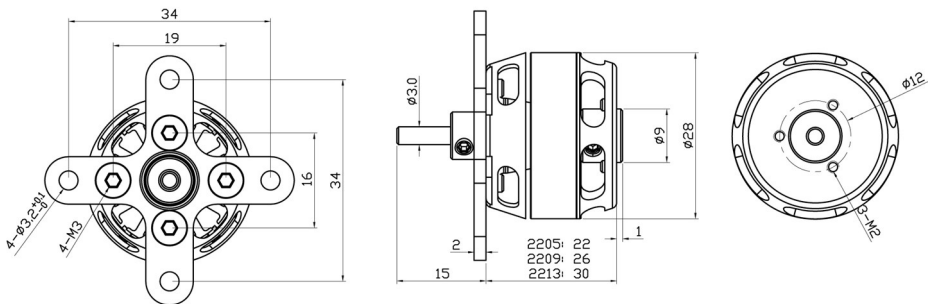
The XTO-22 motors are small outrunners of our series and provide great efficiency and light weight. They're ideal for small electric airplanes up to 1500g. Featuring a slotted 14-pole outrunner design.

Features:

- Light weight
- Proven quality



型号	KV	电压	圈数	空载电流	极数	功率	外部尺寸	出轴规格	电阻	安装孔位	重量
XTO-2205	1590	2S Lipo	34T	0.5A	14	60W	Φ28*22mm	Φ3x15mm	0.159	16mm+19mm 4xM3	33g
	1030	3S Lipo	50T	0.3A	14	80W	Φ28*22mm	Φ3x15mm	0.325	16mm+19mm 4xM3	33g
XTO-2209	1100	3S Lipo	26T	0.5A	14	100W	Φ28*26mm	Φ3x15mm	0.14	16mm+19mm 4xM3	45g
	960	3S Lipo	30T	0.4A	14	140W	Φ28*26mm	Φ3x15mm	0.231	16mm+19mm 4xM3	44g
XTO-2213	1020	3S Lipo	20T	0.7A	14	200W	Φ28*30mm	Φ3x15mm	0.106	16mm+19mm 4xM3	56g
	930	3S Lipo	22T	0.6A	14	180W	Φ28*30mm	Φ3x15mm	0.125	16mm+19mm 4xM3	58g
XTO-2220	2500	3S Lipo	6T	3.6A	10	350W	Φ28*37mm	Φ4x15mm	0.162	16mm+19mm 4xM3	75g
	3500	3S Lipo	6T	4.2A	8	400W	Φ28*37mm	Φ4x15mm	0.148	16mm+19mm 4xM3	75g



FIXED-WING SERIES BRUSHLESS MOTOR

X-TEAM固定翼航模系列无刷电机

XTO-30系列固定翼航模无刷电机

基本参数 Specifications

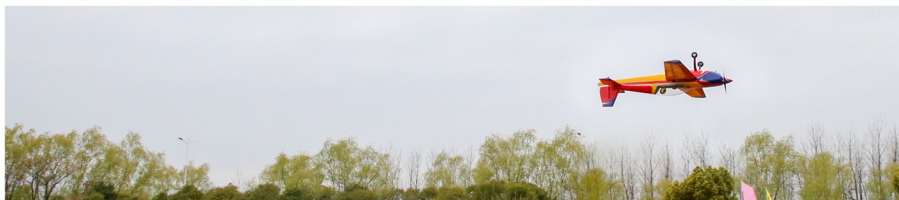
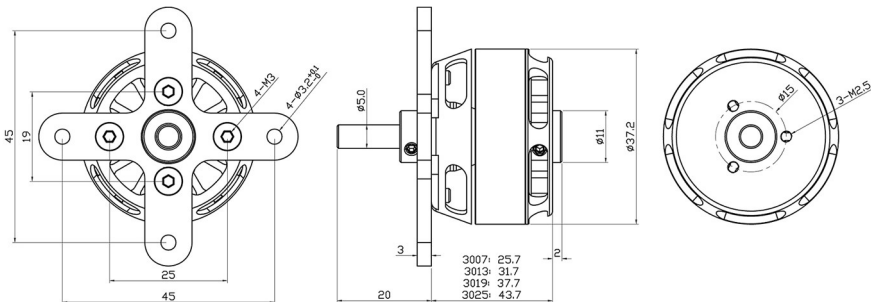
The XTO-30 series motors are designed for larger parkflyers, 3D-aerobatic, scale models and helicopters using 2 to 4 LiPoly batteries. Featuring a slotted 14-pole outrunner design.

Features:

- Light weight
- Proven quality



型号	KV	电压	圈数	空载电流	极数	功率	外部尺寸	出轴规格	Rm	安装孔位	重量
XTO-3007	1440	3S Lipo	22T	1.2A	14	360W	Φ37.2*25.7mm	Φ5x20mm	0.0378	25mm+19mm 4xM3	76g
	1180	3S Lipo	28T	0.9A	14	300W	Φ37.2*25.7mm	Φ5x20mm	0.0554	25mm+19mm 4xM3	75g
XTO-3013	1450	3S Lipo	12T	2.1A	14	400W	Φ37.2*31.7mm	Φ5x20mm	0.0184	25mm+19mm 4xM3	109g
	1070	3S Lipo	16T	1.3A	14	350W	Φ37.2*31.7mm	Φ5x20mm	0.0311	25mm+19mm 4xM3	108g
XTO-3019	1180	3S Lipo	10T	2.3A	14	430W	Φ37.2*37.7mm	Φ5x20mm	0.0182	25mm+19mm 4xM3	138g
	1020	3S Lipo	12T	1.7A	14	520W	Φ37.2*37.7mm	Φ5x20mm	0.0235	25mm+19mm 4xM3	139g
	870	3S Lipo	14T	1.3A	14	480W	Φ37.2*37.7mm	Φ5x20mm	0.0312	25mm+19mm 4xM3	138g
XTO-3025	1170	3S Lipo	8T	2.6A	14	580W	Φ37.2*43.7mm	Φ5x20mm	0.0149	25mm+19mm 4xM3	172g
	940	3~4S Lipo	10T	1.7A	14	700W	Φ37.2*43.7mm	Φ5x20mm	0.0216	25mm+19mm 4xM3	169g
	770	3~4S Lipo	12T	1.4A	14	700W	Φ37.2*43.7mm	Φ5x20mm	0.0286	25mm+19mm 4xM3	172g



FIXED-WING SERIES BRUSHLESS MOTOR

X-TEAM固定翼航模系列无刷电机

XTO-35系列固定翼航模无刷电机

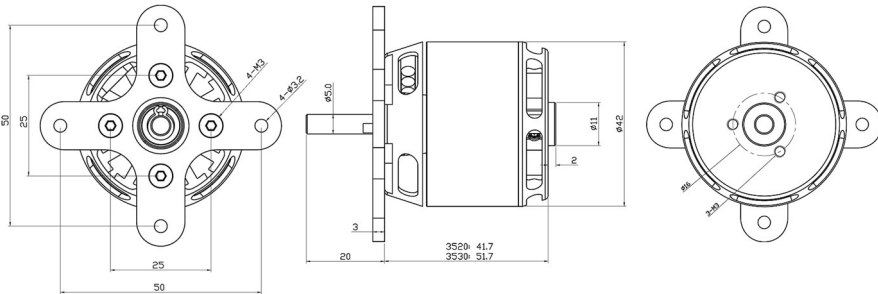
基本参数 Specifications

Our XTO-35 outrunner series feature 8 and 14 pole versions. The XTO-35 motors have been designed for models up to 4kg, such as Dogfighters, Fun- and 3D Flyers.

Due to the innovative motor housing design of the XTO-35 series we have been able to reduce weight and improve efficiency. Great torque, low weight and maximum efficiency are the outstanding features of the XTO-35 motors.



型号	KV	电压	圈数	空载电流	极数	功率	外部尺寸	出轴规格	电阻	安装孔位	重量
XTO-3520	820	4S Lipo	12T	1.9A	14	800W	Φ42*41.7mm	Φ5x20mm	0.0177	25mm 4xM3	197g
	700	4S Lipo	14T	1.4A	14	900W	Φ42*41.7mm	Φ5x20mm	0.0228	25mm 4xM3	198g
XTO-3530	680	4-5S Lipo	10T	1.7A	14	960W	Φ42*51.7mm	Φ5x20mm	0.018	25mm 4xM3	259g
	485	5-6S Lipo	14T	1.1A	14	1100W	Φ42*51.7mm	Φ5x20mm	0.0378	25mm 4xM3	250g



FIXED-WING SERIES BRUSHLESS MOTOR

X-TEAM固定翼航模系列无刷电机

XTO-41系列固定翼航模无刷电机

基本参数 Specifications

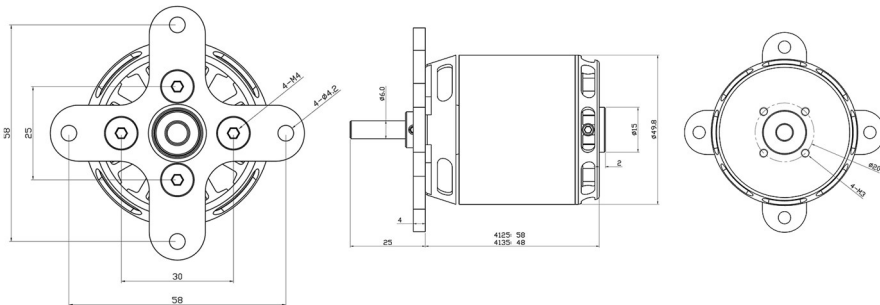
The XTO-41 motor is the most advanced and convenient replacement for 10-15cc engines. The power range is perfect for sport and scale models between 2.7 and 6.0kg, for pattern and 3D models up to 4kg or any application that needs up to 1600W. Ideal also for gliders up to 15kg.

Features:

- High efficient cooling system
- Better efficiency
- Proven quality



型号	KV	电压	圈数	空载电流	极数	功率	外部尺寸	出轴规格	电阻	安装孔位	重量
XTO-4125	470	5-6S Lipo	14T	1.2A	14	1300W	Φ49.8*48mm	Φ6x25mm	0.0212	Φ25&30mm 4xM4	323g
	400	6S Lipo	16T	0.9A	14	1200W	Φ49.8*48mm	Φ6x25mm	0.0285	Φ25&30mm 4xM4	322g
XTO-4135	330	8S Lipo	14T	1.0A	14	1700W	Φ49.8*58mm	Φ6x25mm	0.027	Φ25&30mm 4xM4	420g
	290	8-10S Lipo	16T	0.7A	14	1600W	Φ49.8*58mm	Φ6x25mm	0.0337	Φ25&30mm 4xM4	422g



HELICOPTERS SERIES BRUSHLESS MOTOR

X-TEAM电动直升机无刷电机

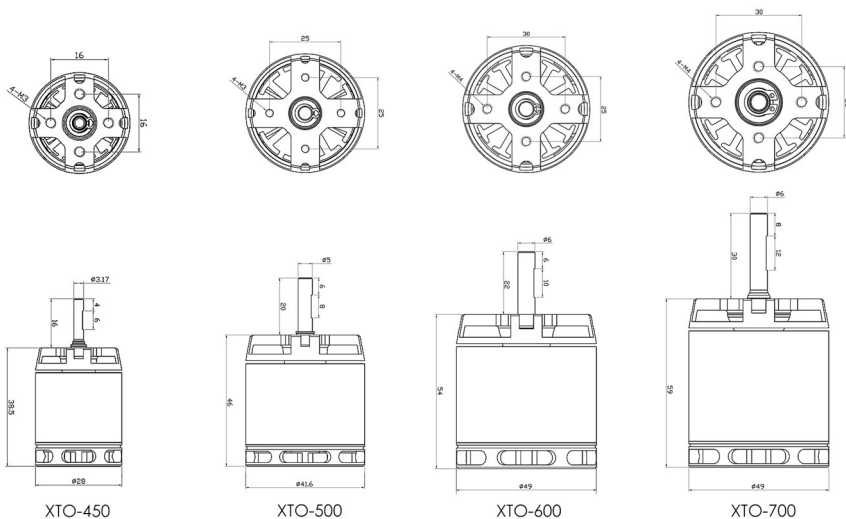
XTO-T系列电动直升机无刷电机

基本参数 Specifications

Our Plenty of innovative and detailed solutions plus carefully selected materials guarantee for lots of torque and perfect cooling. many mounting opportunities for almost every helicopter application. The shaft inside the motor case provides optimal strength, the external part of the shaft with a key path for secure mounting of drive pinions. The X-team motor will excite you, Improve your flying style and go to the limit.



型号	KV	电压	圈数	空载电流	极数	功率	外部尺寸	出轴规格	电阻	安装孔位	重量
XTO-T450	3250	3-4S Lipo	10T	2.2A	6	200W	Φ28*38.5mm	Φ3.175x16mm	0.0172	16mm 4xM3	79g
XTO-T500	1490	3-6S Lipo	12T	2.3A	6	600W	Φ41.6*46mm	Φ5x20mm	0.0147	25mm 4xM3	227g
XTO-T600	1400	10-12S Lipo	6T	5.0A	8	2000W	Φ49.8*54mm	Φ6x22mm	0.0079	Φ25&30mm 4xM4	335g
XTO-T700	500	10-12S Lipo	12T	1.6A	10	2300W	Φ49.8*59mm	Φ6x30mm	0.0224	Φ25&30mm 4xM4	416g



HIGH POWER BRUSHLESS MOTOR

X-TEAM大功率外转子无刷电机



XTO-4335

Mounting Screw: 30mm 4xM4

Turns: 14T
KV: 520
Poles: 10
Power: 2000W
Rm: 0.0141

Voltage: 10~12s Lipo
Idle Amps: 1.4A
Size: $\Phi 51.5 \times 60.2$ mm
OD&Ext.: $\Phi 6 \times 30$ mm
Weight: 477g



XTO-4725

Mounting Screw: 30mm 4xM4

Turns: 13T
KV: 520
Poles: 10
Power: 2800W
Rm: 0.0152

Voltage: 10~12s Lipo
Idle Amps: 2.0A
Size: $\Phi 56 \times 50.2$ mm
OD&Ext.: $\Phi 8 \times 35$ mm
Weight: 428g



XTO-5130

Mounting Screw: 78mm 4x $\Phi 5$

Turns: 13T
KV: 300
Poles: 14
Power: 3000W
Rm: 0.0145

Voltage: 10~14s Lipo
Idle Amps: 2.0A
Size: $\Phi 63.8 \times 53$ mm
OD&Ext.: $\Phi 8 \times 12$ mm
Weight: 630g



XTO-5130Y

Mounting Screw: 80mm 4xM6 / 100mm 4xM6

Turns: 8T
KV: 195
Poles: 20
Power: 4000W
Rm: 0.013

Voltage: 10~14s Lipo
Idle Amps: 5.0A
Size: $\Phi 108 \times 142$ mm
OD&Ext.: $\Phi 10 \times 32$ mm
Weight: 1793g



XTO-10022

Mounting Screw: 80mm 4xM6 / 100mm 4xM6

Turns: 8T
KV: 195
Poles: 20
Power: 4000W
Rm: 0.013

Voltage: 10~14s Lipo
Idle Amps: 5.0A
Size: $\Phi 108 \times 142$ mm
OD&Ext.: $\Phi 10 \times 32$ mm
Weight: 1793g

HIGH POWER BRUSHLESS MOTOR

X-TEAM工业级大功率外转子无刷电机

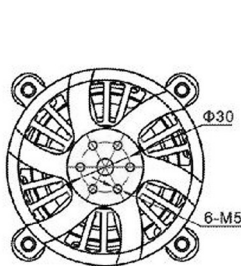
XTO-36公斤大拉力工业级外转子无刷电机

基本参数 Specifications

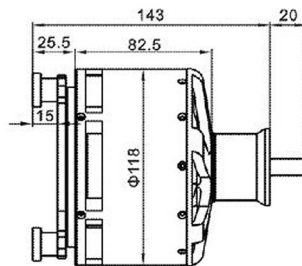
产品型号	XTO-11836
KV	120KV
最大功率	15kW
工作电压	45-70V
空载电流	12A
最大电流	200A
内阻	5.3mΩ
外形尺寸	Φ118x143mm
重量	3.2kg

产品特点

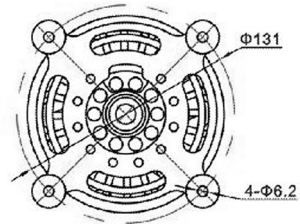
- 机壳定位大轴承，避免共振和陀螺效应
- 轴心固定双轴承，更大受力面积，寿命更长
- 底部推力轴承，更大的负载能力，减少磨损
- 适用于滑翔伞、多轴载人无人机、大型工业无人机



桨安装孔位图
Paddle mount

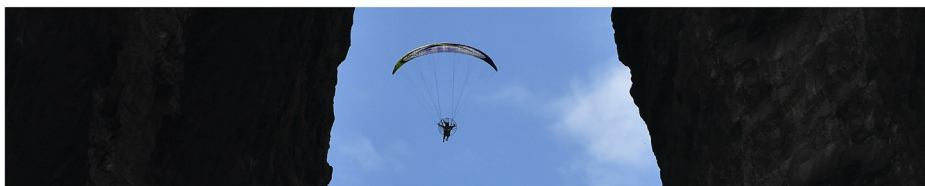


电机外形图
Motor figure



固定电机孔位图
Fixed motor hole
bitmap

型号	桨	测试电压	测试电流	功率 (W)	拉力 (g)	转速 (rpm/min)	出轴规格	重量
XTO-11836 120KV	木桨 34x10	60V	18A	1080	6660	1750	Φ12xL10mm	3200g
			24A	1440	7020	2790		
			42A	2520	12080	3114		
			50A	3000	14060	3840		
			65A	3900	16620	4048		
			94A	5640	23640	4250		
			133A	7980	29780	5094		
			184A	11040	33580	5561		
			197A	11820	35240	1984		
210A	12600	36000	6277					



HIGH POWER BRUSHLESS MOTOR

X-TEAM工业级大功率外转子无刷电机

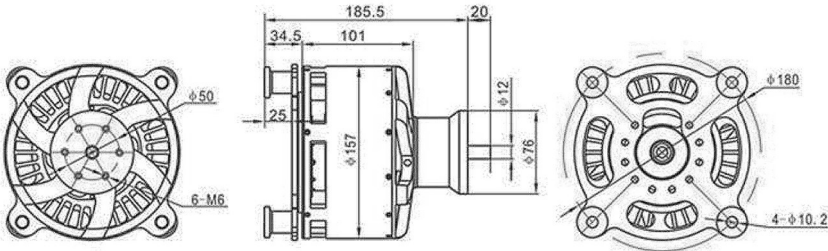
XTO-77公斤大拉力工业级外转子无刷电机

基本参数 Specifications

产品型号	XTO-15777
KV	60KV
最大功率	30kW
工作电压	45-100V
空载电流	4.8A
最大电流	360A
内阻	6.9mΩ
外形尺寸	Φ157x185.5mm
重量	6.4kg

产品特点

- 机壳定位大轴承，避免共振和陀螺效应
- 轴心固定双轴承，更大受力面积，寿命更长
- 底部推力轴承，更大的负载能力，减少磨损
- 适用于滑翔伞、多轴载人无人机、大型工业无人机



桨安装孔位图
Paddle mount

电机外形图
Motor figure

固定电机孔位图
Fixed motor hole
bitmap

型号	桨	测试电压	测试电流 (A)	输入功率 (W)	拉力 (g)	扭力 (n.m)	转速 (rpm/min)	输出功率 (W)	电机效率 (%)	扭力 (G/W)	重量 (g)
XTO-15777 70KV	木桨 40x16"	85V	64	5440	23360	14.74	2861	4417	81.2	4.29	6500
			138	11730	45620	26.14	3715	10170	86.7	3.89	
			186	15810	51340	32.68	3945	13502	85.4	3.25	
			242	20570	62240	37.42	4321	16929	82.3	3.03	
			334	28390	74960	44.49	4839	22542	79.4	2.64	
XTO-15777 60KV	木桨 44x14"	85V	63	5355	32880	20.22	2165	4584	85.6	6.14	6500
			93	7905	39880	27.33	2395	6854	86.7	5.04	
			114	9690	42900	30.71	2564	8246	85.1	4.43	
			167	14195	58060	38.06	2892	11526	81.2	4.09	
			185	15725	65180	40.12	2938	12344	78.5	4.14	
202	17170	70480	41.23	3074	13272	77.3	4.10				